

FRA11 RELAY



CAR CONTROL MINI & SILENT RELAY

FEATURES

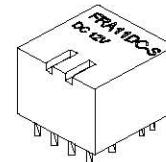
Miniature & light weight Single and Double Relays

Quiet version is available for Double Relay (Operation Noise <50dB)

Use for car control applications

PCB terminal in grid 1.25 - 1.27mm

Sealed type is available.



SPECIFICATIONS

COIL RATING (At 20°C)

RATED VOLTAGE (V DC)	COIL RESISTANCE (Ω +/- 10 %)	MUST OPERATE VOLTAGE (V DC)	MUST DROPOUT VOLTAGE (VDC)	MAXIMUM VOLTAGE (V DC)	POWER CONSUMPTION (W)
		(AT +20°C)			
12	255	6.9 Max.	1 Min.	18	FRA11(D)(Q)-1 : 0.56
	178	5.8 Max.	0.8 Min.	18	FRA11D(Q)-2 : 0.8

CHARACTERISTICS

Contact Arrangement	2 X SPST (1 Form A); 2 x SPDT (1 Form C)
Contact Material	Silver Alloy
Contact Resistance	30m Ω Max. (or 30mV at 10A Max.)
Contact Rating (Resistive Load)	20A 14VDC
Maximum Switching Voltage	40V DC
Maximum Switching Current	35A
Operate Time (Initial)	5ms Max.
Release Time (Initial)	3ms Max.
Insulation Resistance	100M Ω Min. (500V DC)
Dielectric Strength	500V AC(50Hz/min.)
Shock Resistance	6ms up to 30g
Vibration (Resistance)	6g (10 - 200 Hz)
Ambient Temperature	-40°C to +85°C
Humidity	40 - 85% RH
Operation Life	Mechanical : 10 ⁷ Electrical : 2 x 10 ⁵ (At rated load)
Weight	FRA11: 5.5g Approx. FRA11D: 11g Approx. FRA11DS : 17g Approx.

[Specifications are subject to change without notices.]

FORWARD INDUSTRIAL COMPANY. (O/B COMMERCIAL UNION LTD)

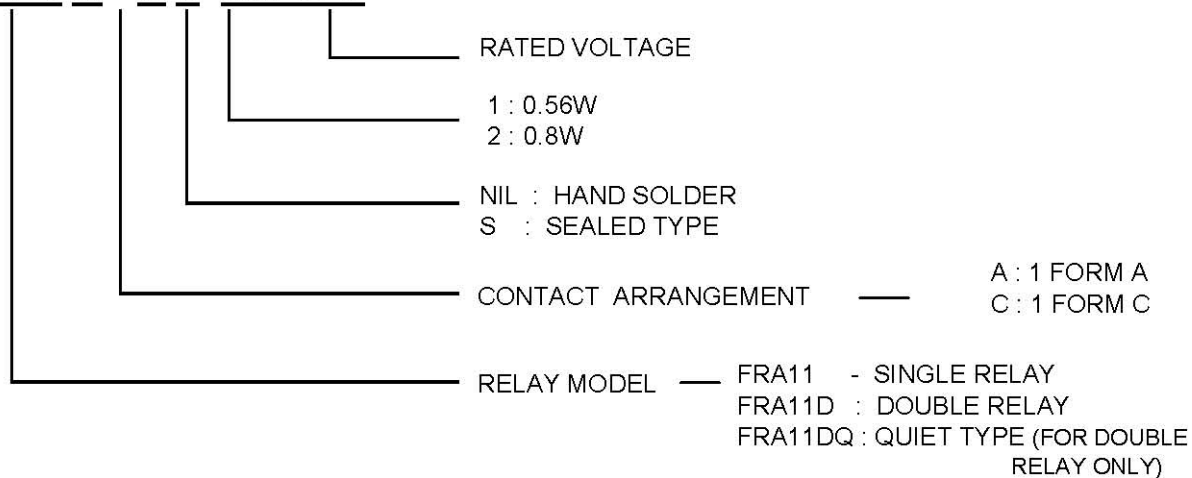
RM. 1405, Wu Sang House, 655 Nathan Road, Mongkok, Kowloon, Hong Kong.

FRA11 RELAY



ORDERING INFORMATION

FRA11 C - S 1 DC 12V



Note : Pb-Free and RoHS compliant relays are available.

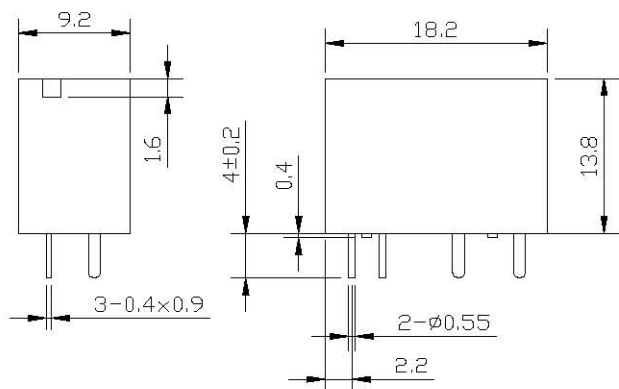
For ordering, please add suffix "Pb-Free" or "RoHS" to standard relay part numbers.

For example : FRA11C-S1 DC 12V "Pb-Free" for Pb-Free Relay

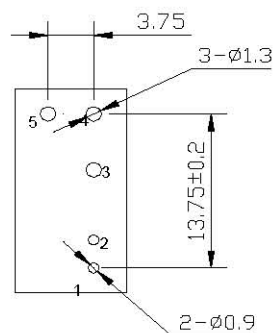
For example : FRA11C-S1 DC 12V "RoHS" for RoHS Compliant Relay

DIMENSIONS (UNIT:mm)

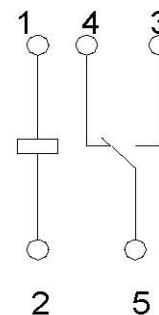
FRA11 - SINGLE RELAY



MOUNTING HOLES

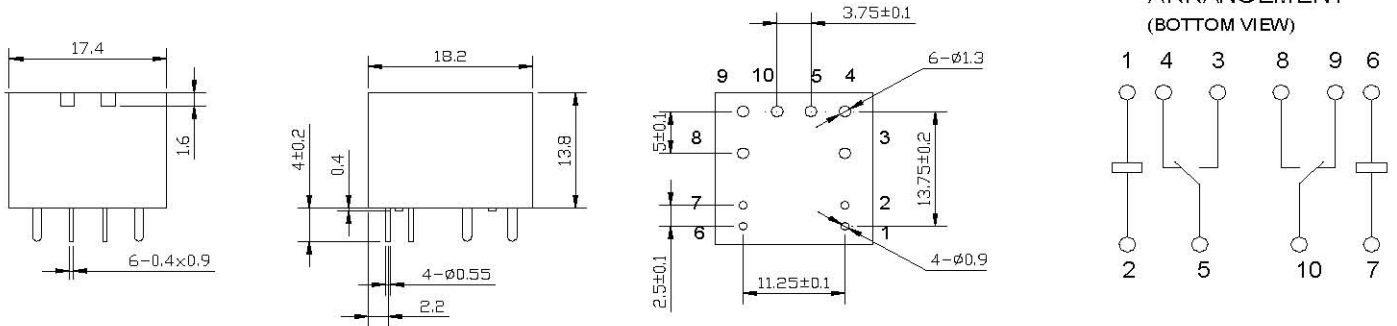


TERMINAL ARRANGEMENT (BOTTOM VIEW)

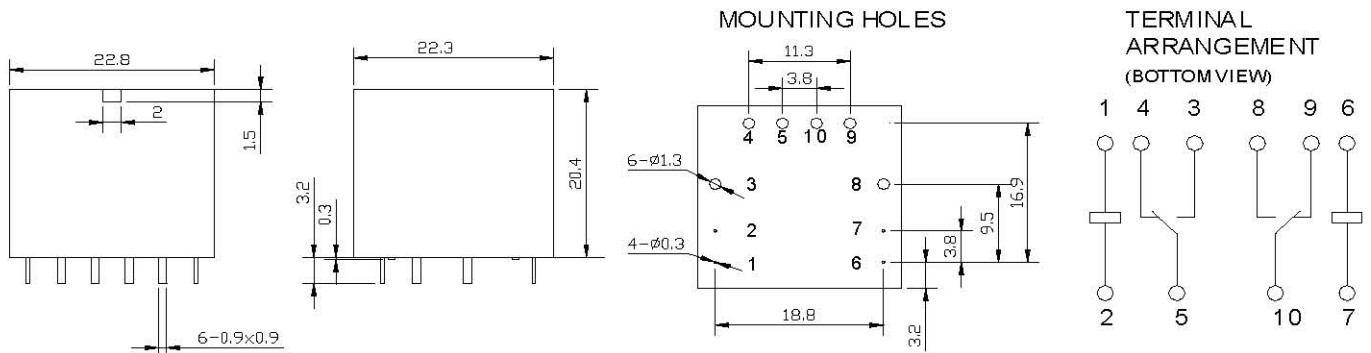




FRA11D - DOUBLE RELAY



FRA11DQ - DOUBLE RELAY WITH QUIET TYPE



WIRING DIAGRAM (BOTTOM VIEWS)

